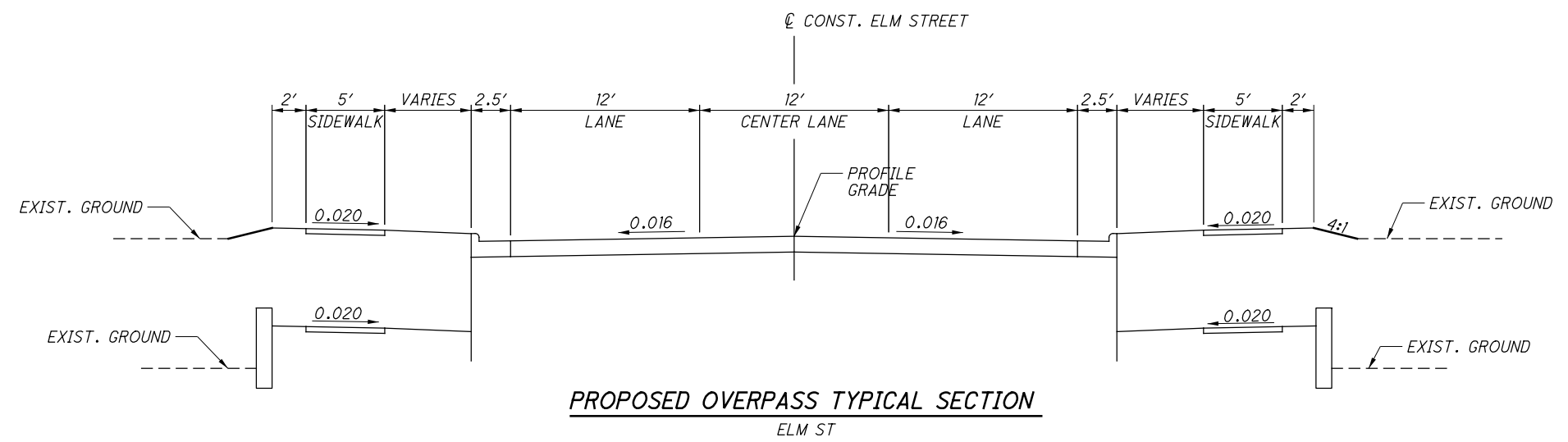
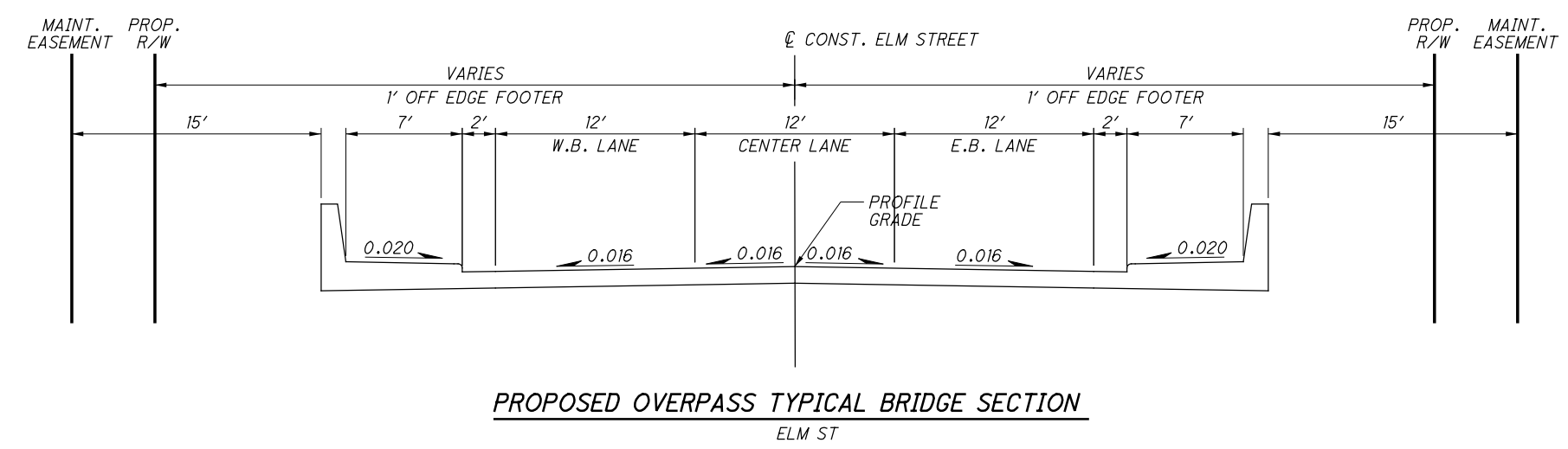


Appendix C – Typical Section

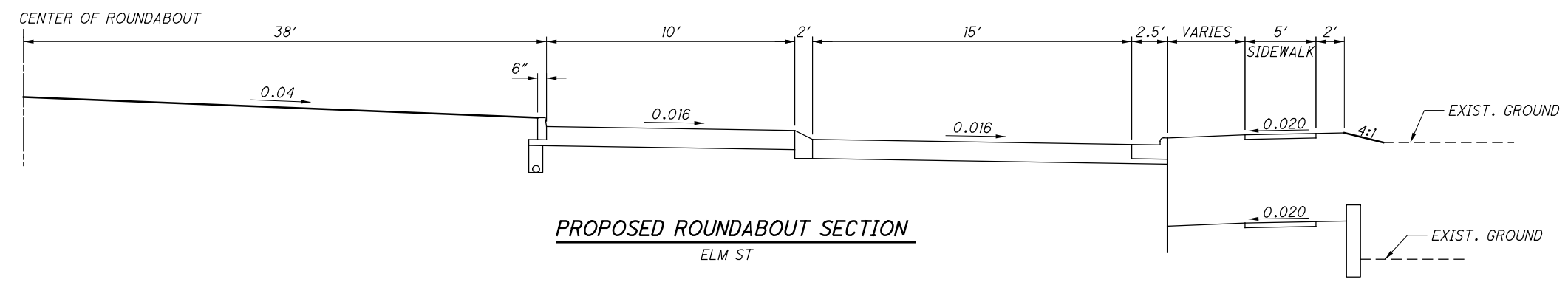
Pages C-1 – C-2: Alternative 2A Elm Street Overpass Typical Sections
Pages C-3 – C-4: Alternative 2B Elm Street Underpass Typical Sections



PROPOSED OVERPASS TYPICAL SECTION
ELM ST

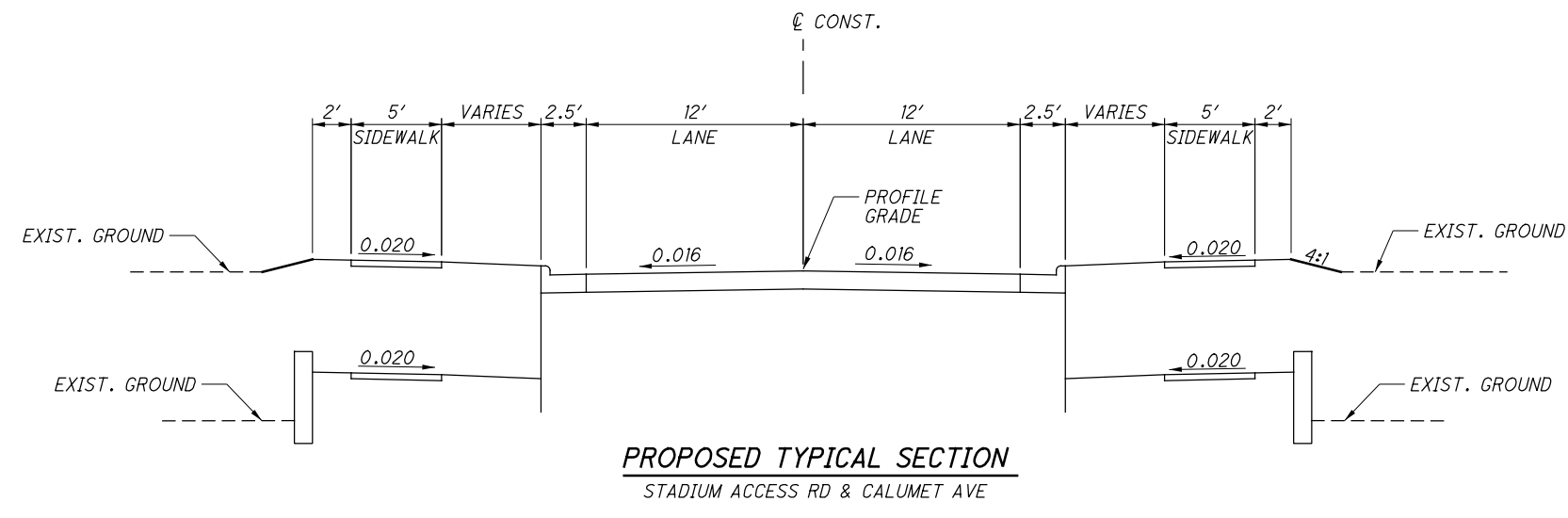
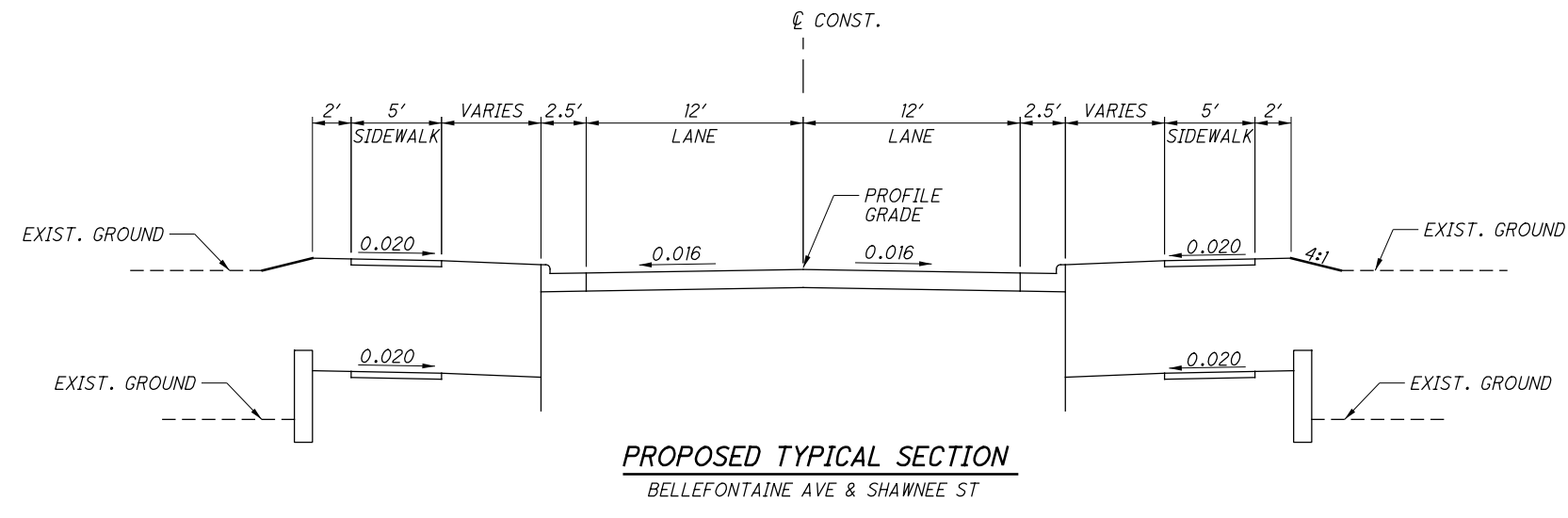
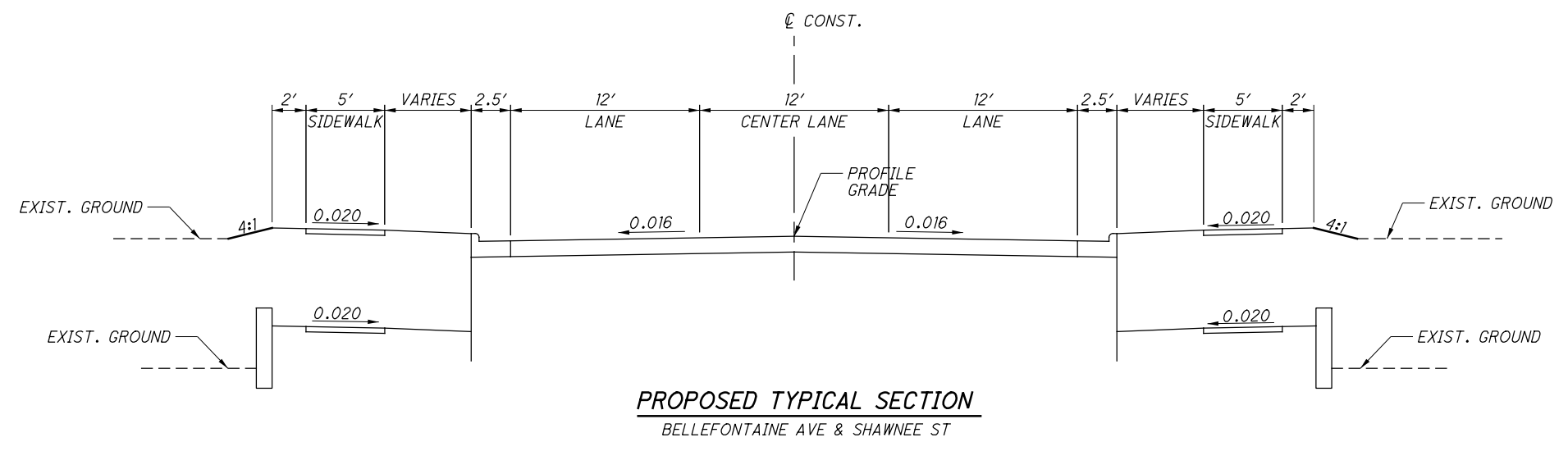


PROPOSED OVERPASS TYPICAL BRIDGE SECTION
ELM ST

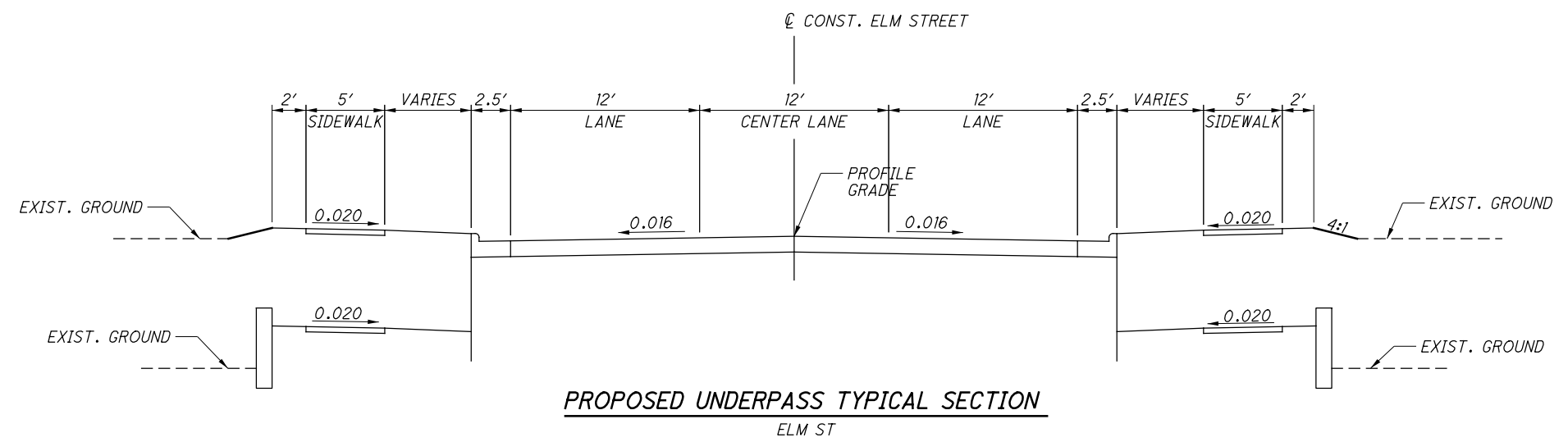


PROPOSED ROUNDABOUT SECTION
ELM ST

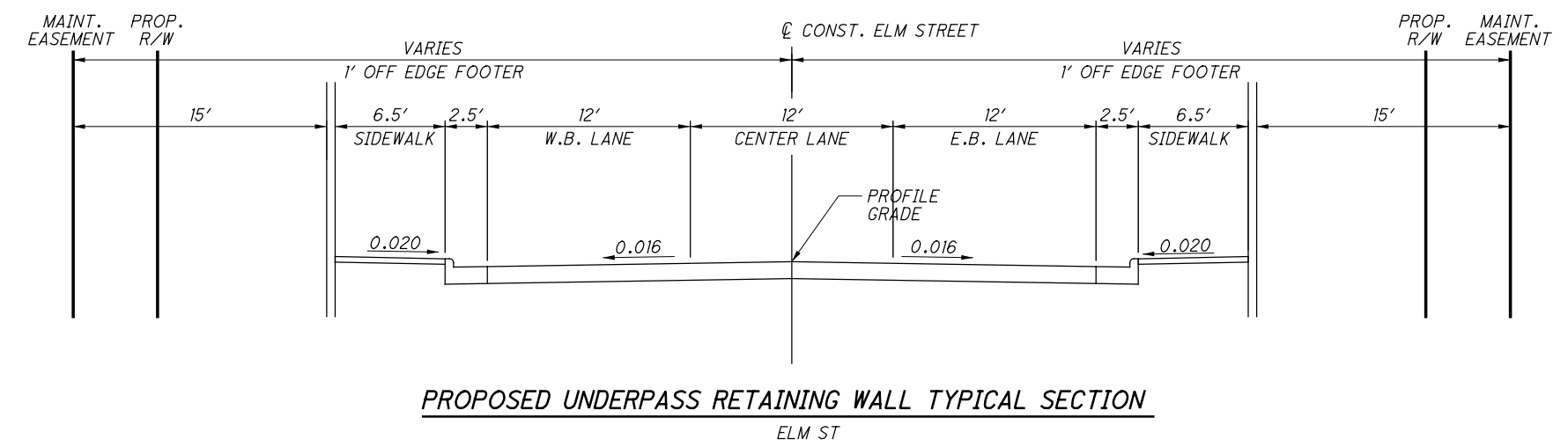
skuntz 3/12/2013 11:27:45 AM
 O:\C02006_0115\C_Design\ALL\80441\roadway\sheets\over (02A)\80441GY001.dgn



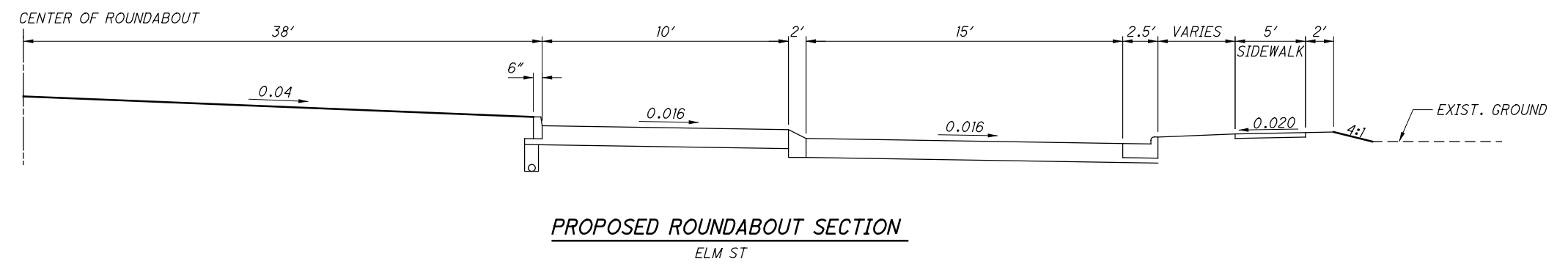
skuntz 3/12/2013 11:27:47 AM
 O:\C02006_0115\C.Design\ALL_80441\roadway\sheets\OVER_02A\80441GY002.dgn



PROPOSED UNDERPASS TYPICAL SECTION
ELM ST

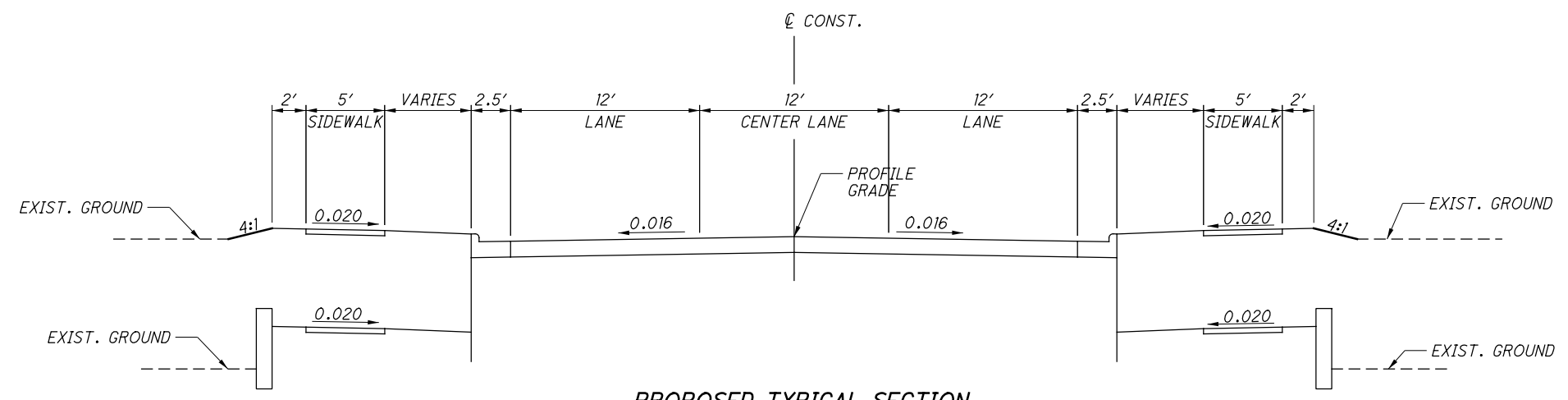


PROPOSED UNDERPASS RETAINING WALL TYPICAL SECTION
ELM ST

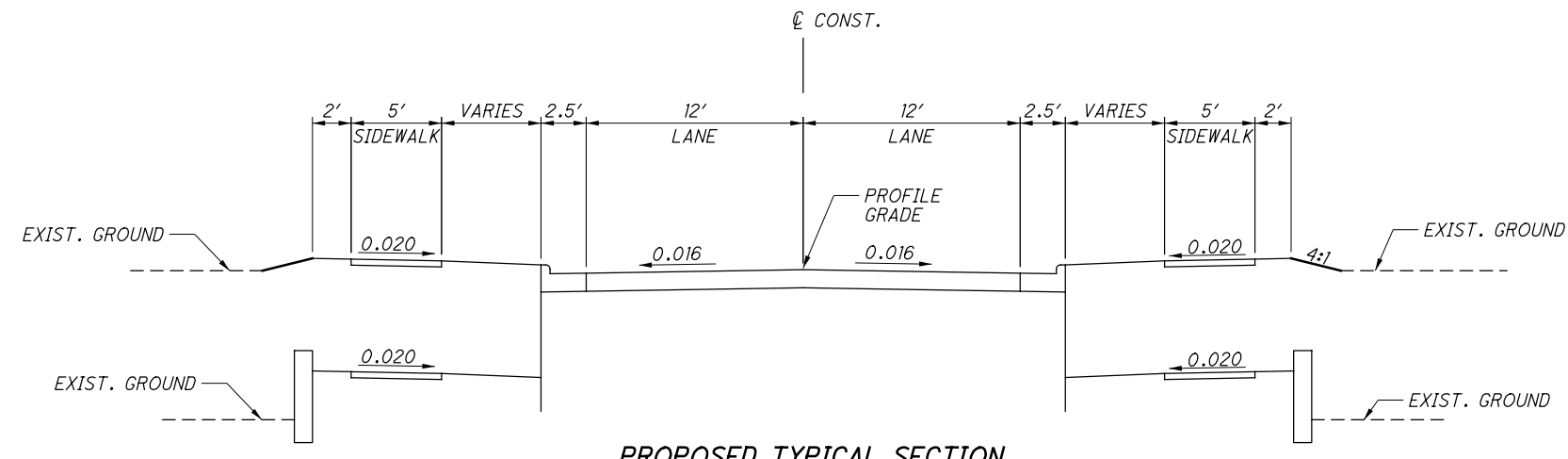


PROPOSED ROUNDABOUT SECTION
ELM ST

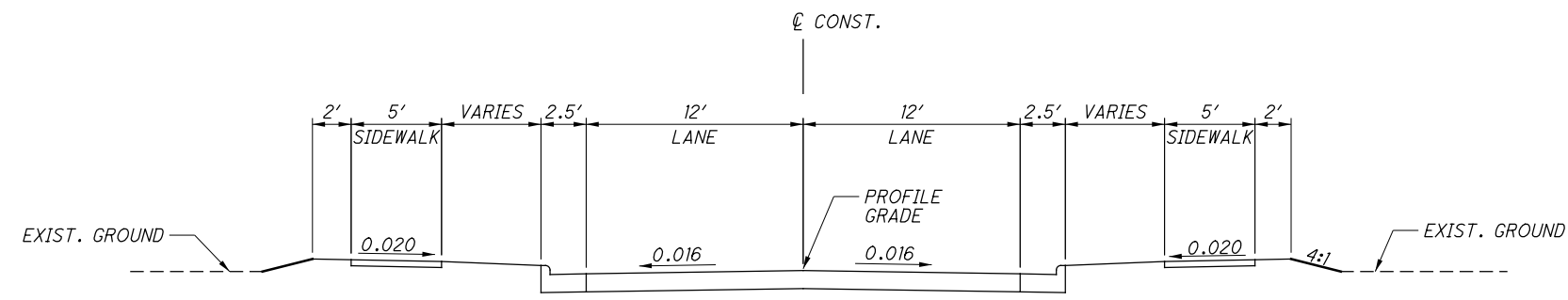
skuntz 3/12/2013 11:28:31 AM O:\C02006_0115\C_Design\ALL\80441\roadway\sheets\UNDER_02B\80441GY001.dgn



PROPOSED TYPICAL SECTION
BELLEFONTAINE AVE & SHAWNEE ST



PROPOSED TYPICAL SECTION
BELLEFONTAINE AVE & SHAWNEE ST



PROPOSED TYPICAL SECTION
STADIUM ACCESS RD & CALUMET AVE